

Quilt Along - Block 12 Please read instructions carefully before cutting

Materials

- 0.2m Geo Squares - Colour 1 (A) 
- 0.2m Geo Squares - Colour 2 (B) 
- 0.2m Geo Squares - Colour 3 (C) 
- 0.2m Geo Squares - Colour 4 (D) 
- 0.2m Geo Squares - Colour 5 (E) 
- 0.2m Geo Squares - Colour 6 (F) 

Cutting Instructions

From Geo Squares (A), (B), (C), (D), (E), (F) cut:

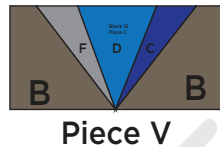
- Rectangles large enough to cover each piece in your desired fabric

Block Assembly

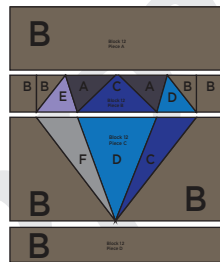
Sew together Piece U



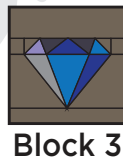
Sew together Piece V



Sew Piece T > Piece U >
Piece V > Piece W



Square up to $12\frac{1}{2} \times 12\frac{1}{2}$.

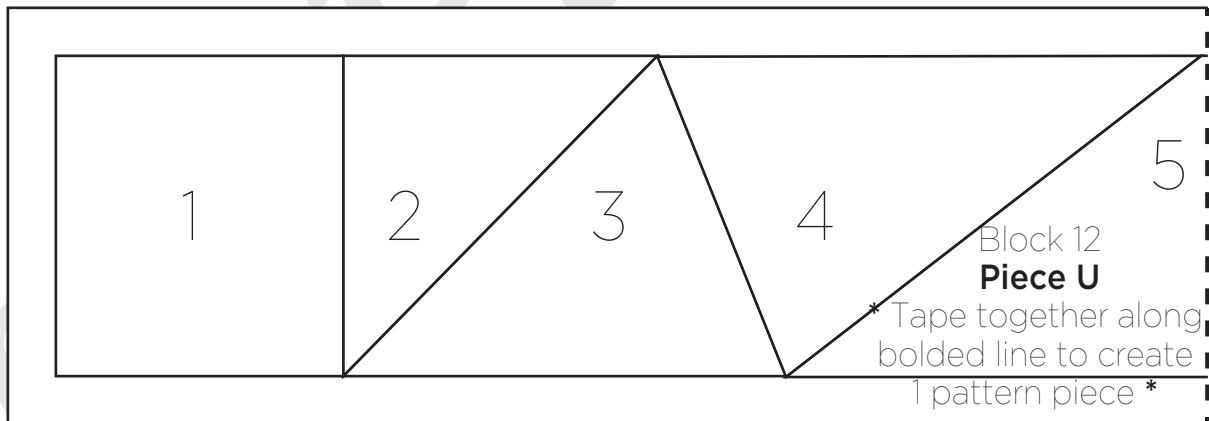


©Fabricland 2020.

This pattern is not available for commercial resale. You cannot copy and sell or digitally distribute this pattern. You may sell items you make with this pattern.

Quilt Along - Block 12

Please read instructions carefully before cutting



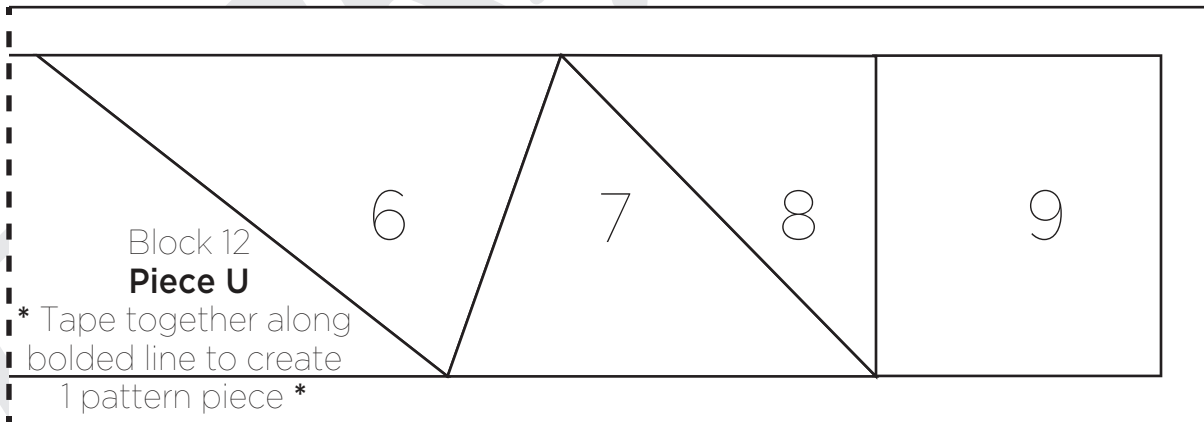
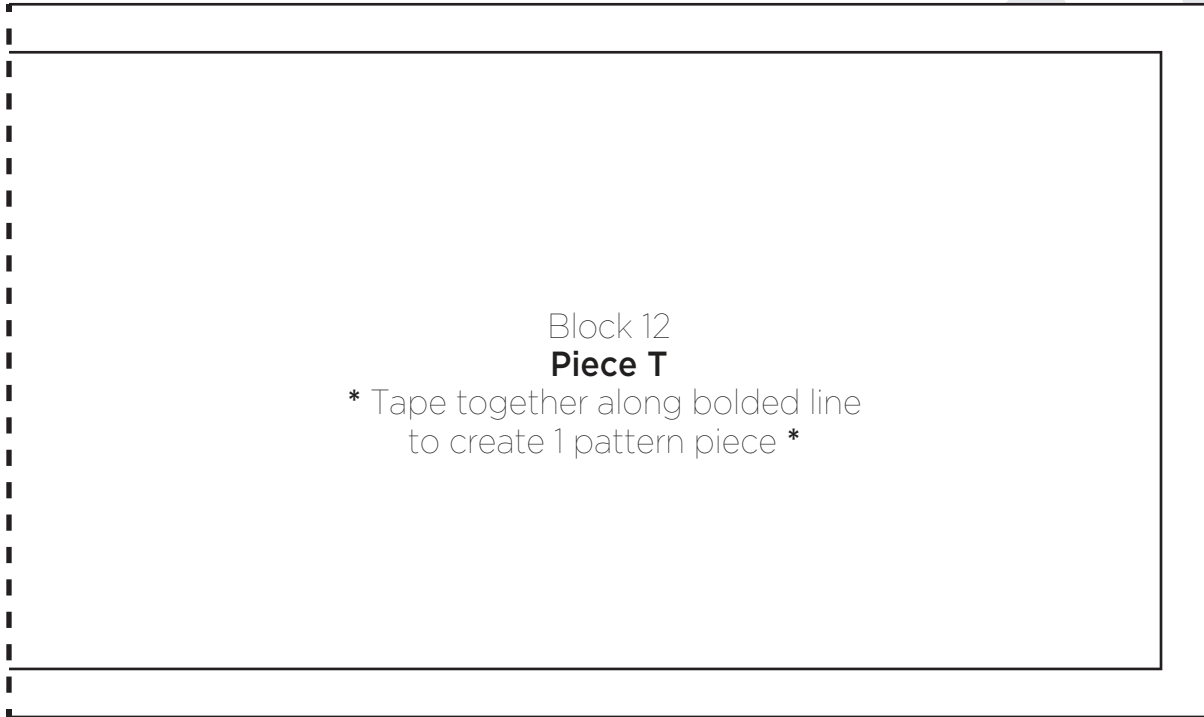
Actual Pattern Size

©Fabricland 2020.

This pattern is not available for commercial resale. You cannot copy and sell or digitally distribute this pattern. You may sell items you make with this pattern.

Quilt Along - Block 12

Please read instructions carefully before cutting



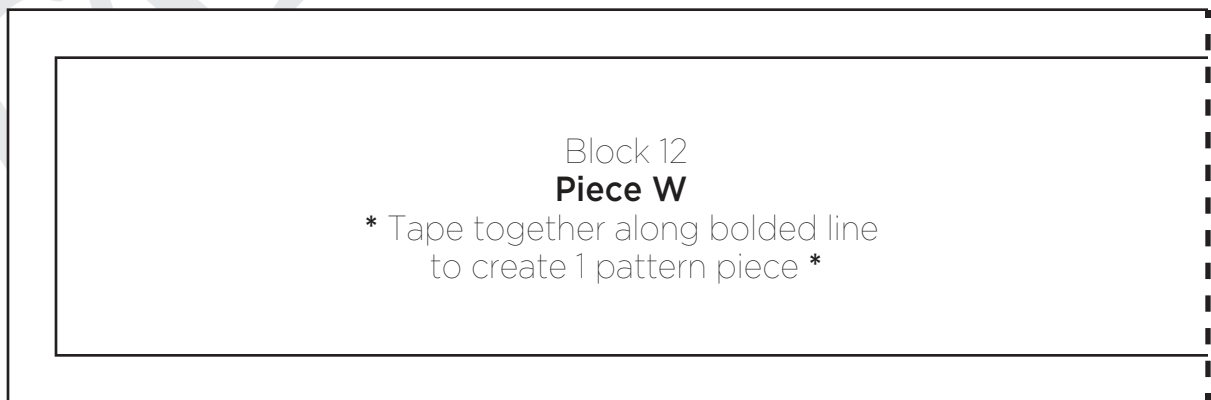
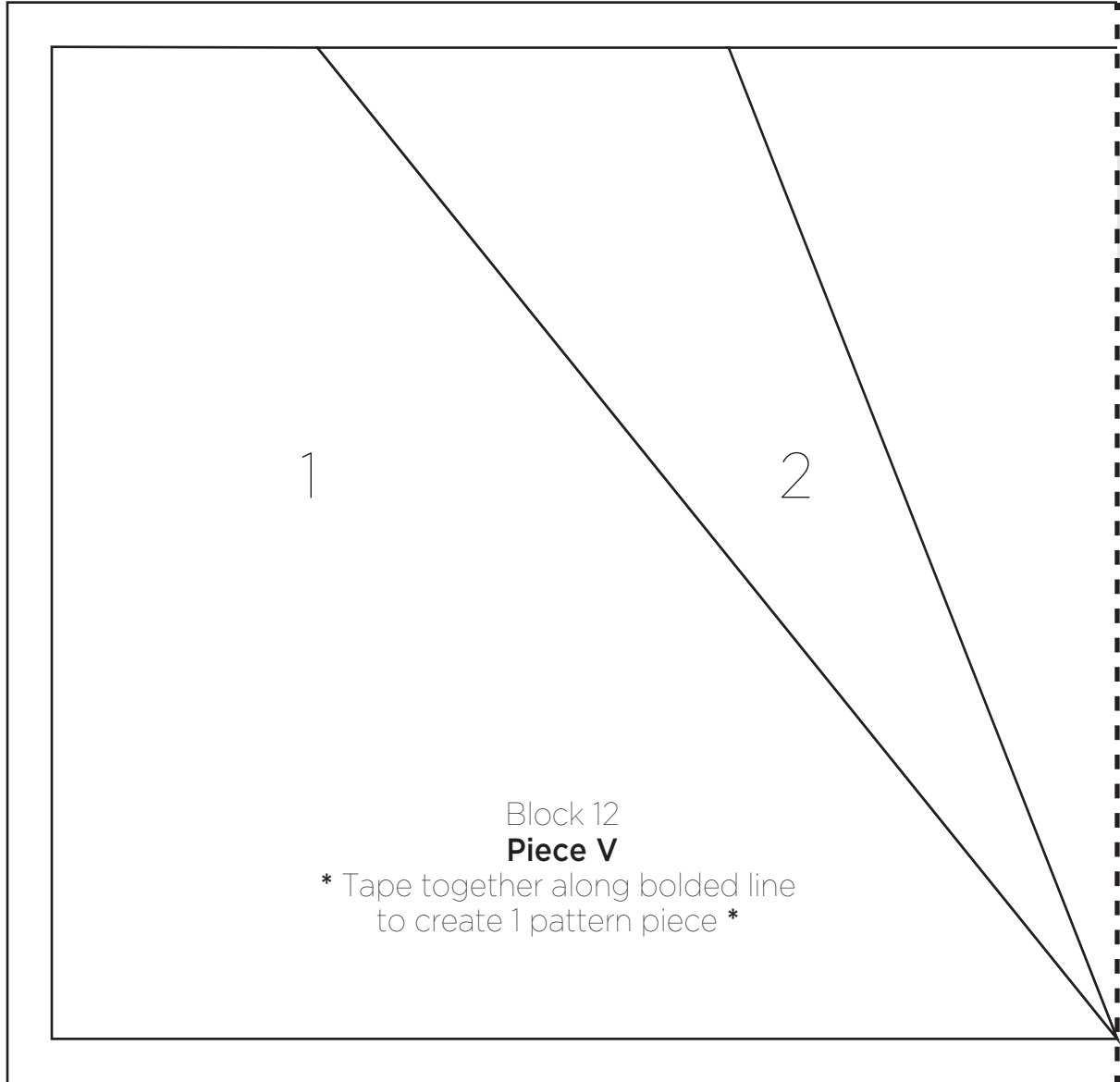
Actual Pattern Size

©Fabricland 2020.

This pattern is not available for commercial resale. You cannot copy and sell or digitally distribute this pattern. You may sell items you make with this pattern.

Quilt Along - Block 12

Please read instructions carefully before cutting



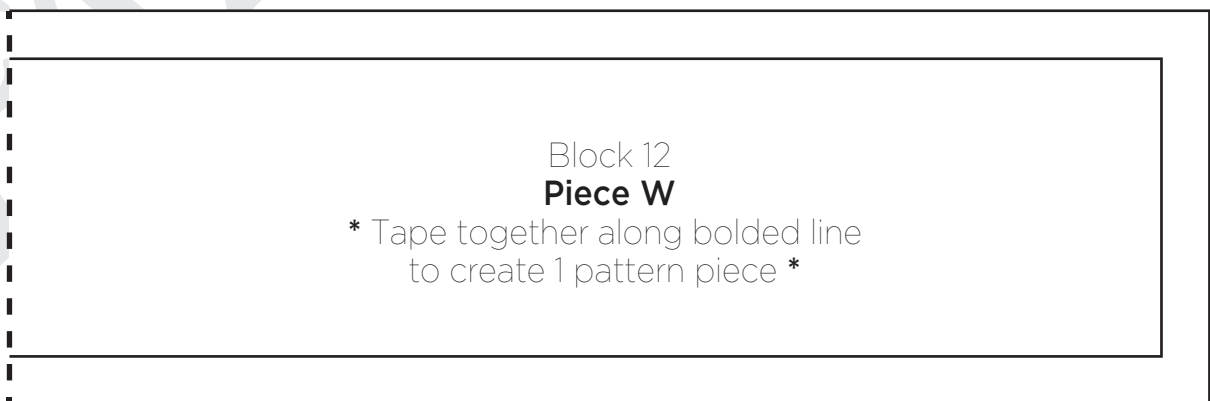
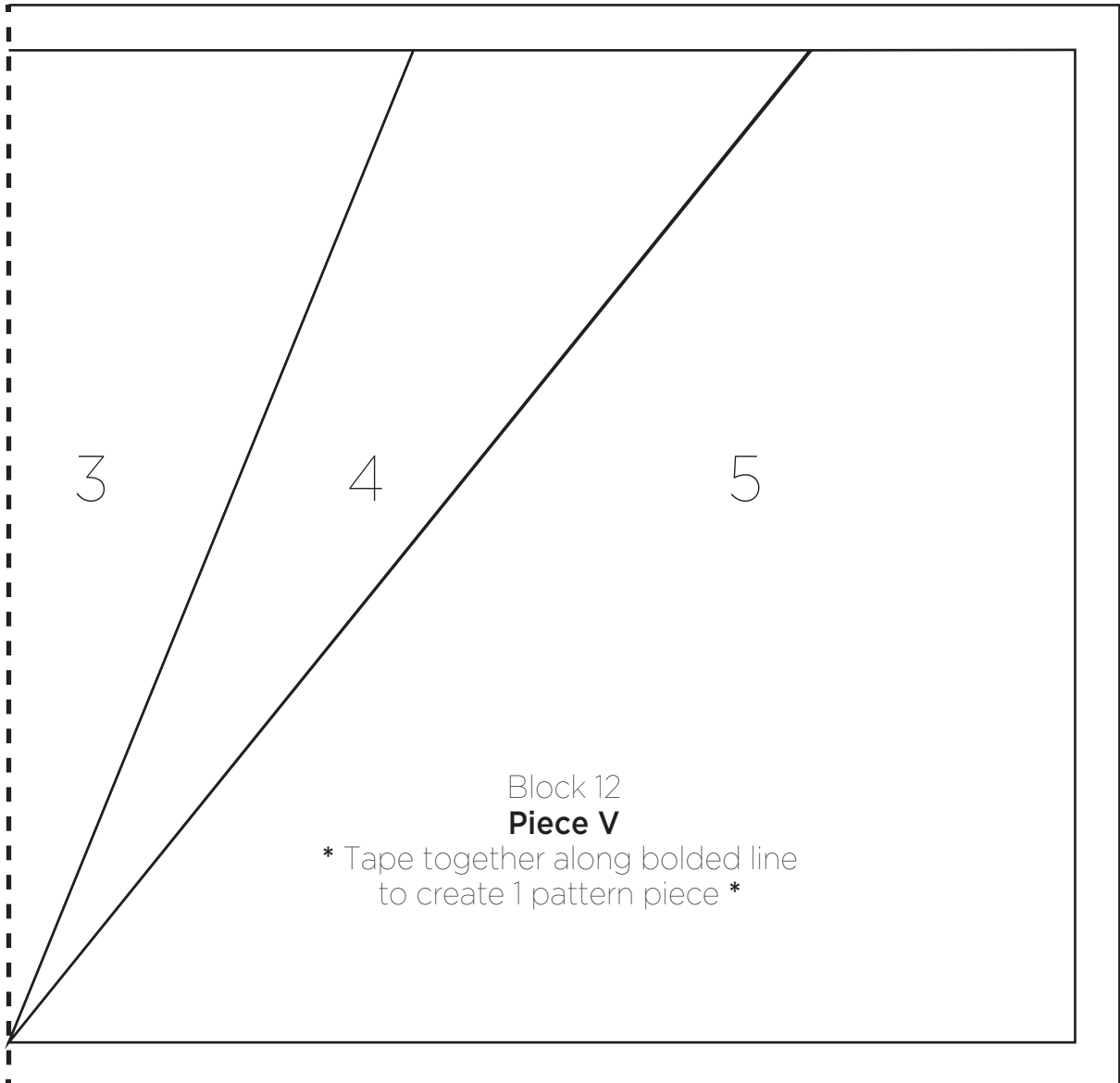
Actual Pattern Size

©Fabricland 2020.

This pattern is not available for commercial resale. You cannot copy and sell or digitally distribute this pattern. You may sell items you make with this pattern.

Quilt Along - Block 12

Please read instructions carefully before cutting



Actual Pattern Size

©Fabricland 2020.

This pattern is not available for commercial resale. You cannot copy and sell or digitally distribute this pattern. You may sell items you make with this pattern.